

Metal cylindrical shape inductive sensors **LR12X** series



Features

- ◆ Extended sensing distance;
- ◆ ASIC design, safe and reliable;
- ◆ Perfect choice for metallic target detection;



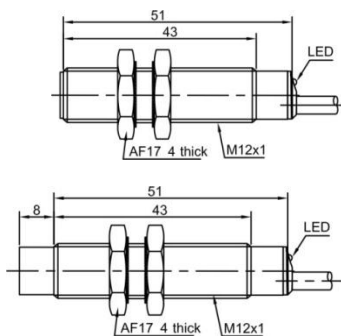
Part number

DC 2 wires NO	LR12XBF04DLOY LR12XBN08DLOY	DC 2 wires NC	LR12XBF04DLCY LR12XBN08DLCY
---------------	-----------------------------	---------------	-----------------------------

Technical specifications

Mounting	Quasi -flush	Non-flush	Leakage current [I _r]	≤1mA
Rated distance [S _n]	4mm	8mm	Circuit protection	Short-circuit, overload and reverse polarity
Assured distance [S _a]	0...3.2mm	0...6.4mm	Output indicator	Yellow LED
Dimensions	M12*51mm	M12*59mm	Ambient temperature	-25°C...70°C
Output	NO/NC(depends on part number)		Ambient humidity	35-95%RH
Supply voltage	10...30 VDC		Switching frequency [F]	800 Hz 500 Hz
Standard target	Fe 12*12*1t/Fe 24*24*1t		Voltage withstand	1000V/AC 50/60Hz 60S
Switch-point drifts[%/Sr]	≤ ± 10%		Insulation resistance	≥50MΩ (500VDC)
Hysteresis range [%/Sr]	1...20%		Vibration resistance	10...50Hz (1.5mm)
Repeat accuracy [R]	≤ 3%		Degree of protection	IP67
Load current	≤ 100mA		Housing material	Nickel-copper alloy
Residual voltage	≤ 6V		Connection type	2m PVC cable

Dimensions



Wiring diagram

