

I/O Master station MS ECT-SM12-0008-A



Interface

IO-LINK version	1.1
Network interface	EtherCAT
Auxiliary interface	8*IO LINK
Digital input port	16*PNP,3 type
Digital output port	16*PNP
Interface class	CLASS A

Indication

Switch function	Yellow
IO-LINK communication	Green
Sensor power supply(US)	Green
Actuator power supply(UA)	Green
Fault	Red

Mechanical parameters

Diameter	230*64.1*20mm
Fastener	Fixed by 2-hole bolts

Materials

Housing material	Zinc alloy die casting
Encapsulating material	Black epoxy

Working environment

Ambient temperature	-25~70°C
Storage temperature	-40~85°C
Protection degree	IP67

Electrical connection

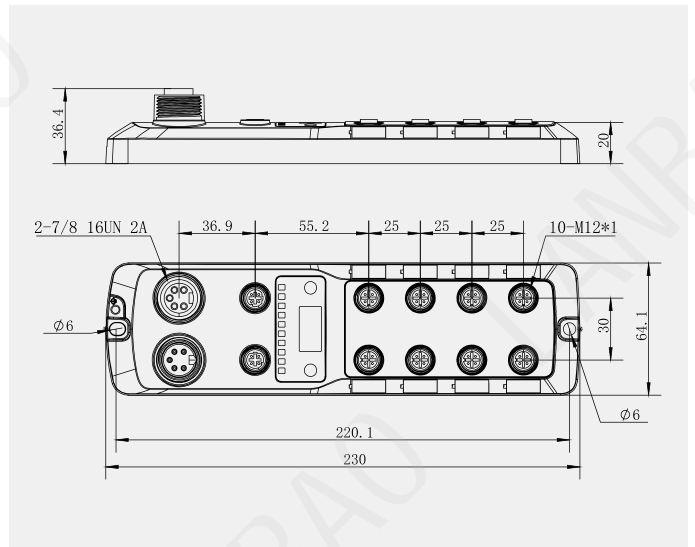
Ethercat interface	Female, M12*2, 4pin, CLASS D
Power input interface	Male, 7/8" , 5pin
Power output interface	Female, 7/8" , 5pin
IO interface	Female, M12*8, 5pin, CLASS A
Contact surface protection	Nickel/gold plated

Packing accessories

Nameplate (12x)	
Blind plug (8x)	
Instruction	
Bolts M5*2	

Certification

CE	
UKCA	



Electrical parameters

IO-LINK function	Master device
Configurable input/output port	Yes
Supply voltage	18~30Vdc
Total actuator current(UA)	8A
Total sensor current(US)	8A
Fault alarm	Output/power short circuit/ power undervoltage
Maximum output current of a single channel	2A

Connector Drawings

