

I/O Module

HIOL-S12-P16UA



Communication interface

IO-LINK protocol version	V1.1
Transfer rate	COM2 (38.4 kBaud)
Digital input/output port	16 × PNP, configurable
Process data cycle(min)	5.5ms
Process data input/output	8 Byte/ 2 Byte

LED indication

Switch output	Yellow
IO-LINK communication	Green
Sensor power supply(US)	Green
Actuator power supply(UA)	Green

Mechanical parameters

Diameter	58.4 x 31x 136.4 mm
Fastener	Fixed by 3-hole bolts

Materials

Shell shield	No
Housing material	PA, transparent

Working environment

Storage temperature	-40...85 °C
Ambient temperature	-25...70 °C
Protection degree	IP67, When the bolts are tightened

Electrical connection

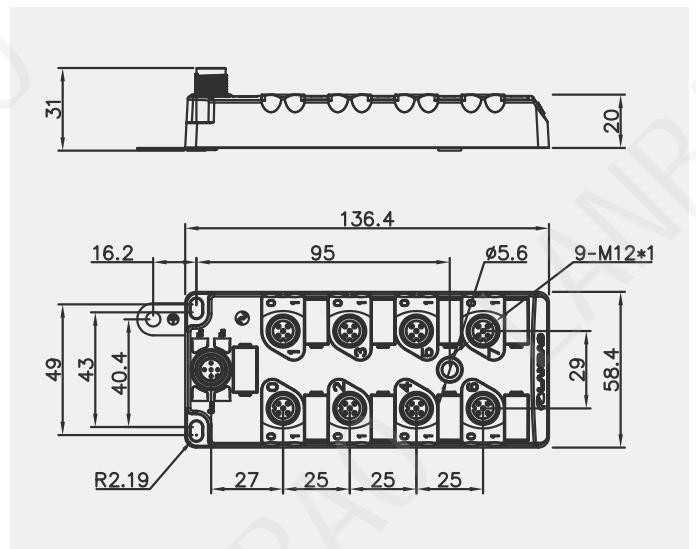
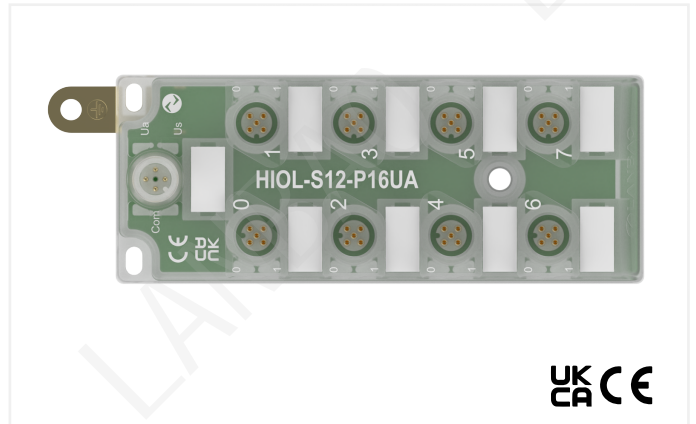
Communication interface	1*M12 male, 5pin, A-Code
I/O Interface	8*M12 female, 5pin, A-Code
Contact surface protection	Gilded 0.25µm

Packing accessories

Nameplate(12p)	
Instruction	

Certification

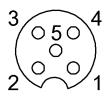
CE	
UKCA	



Electrical parameters

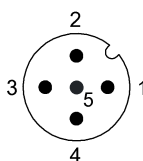
IO-Link function	Device
Number of IO-Link port	1
Configurable input/output port	Yes
Supply voltage(Ub)	18~30VDC
Total sensor current(US)	2A
Total actuator current(UA)	2A
Maximum static current	100mA

Connector Drawings



Input/output port

- PIN 1: +24V, 200mA
- PIN 2: Input/output port
- PIN 3: GND
- PIN 4: Input/output port
- PIN 5: EARTH



IO-LINK port

- PIN 1: +24V(US)
- PIN 2: +24V(UA)
- PIN 3: GND, Signal ground
- PIN 4: C/Q, IO-Link channel
- PIN 5: EARTH

I/O Module

HIOL-S12-P0808A



Communication interface

IO-LINK protocol version	V1.1
Transfer rate	COM2 (38.4 kBaud)
Digital input/output port	8×PNP/ 8×PNP
Process data cycle(min)	5.5ms
Process data input/output	8 Byte/ 2 Byte

LED indication

Switch output	Yellow
IO-LINK communication	Green
Sensor power supply(US)	Green
Actuator power supply(UA)	Green

Mechanical parameters

Diameter	58.4 x 31x 136.4 mm
Fastener	Fixed by 3-hole bolts

Materials

Shell shield	No
Housing material	PA, transparent

Working environment

Storage temperature	-40...85 °C
Ambient temperature	-25...70 °C
Protection degree	IP67, When the bolts are tightened

Electrical connection

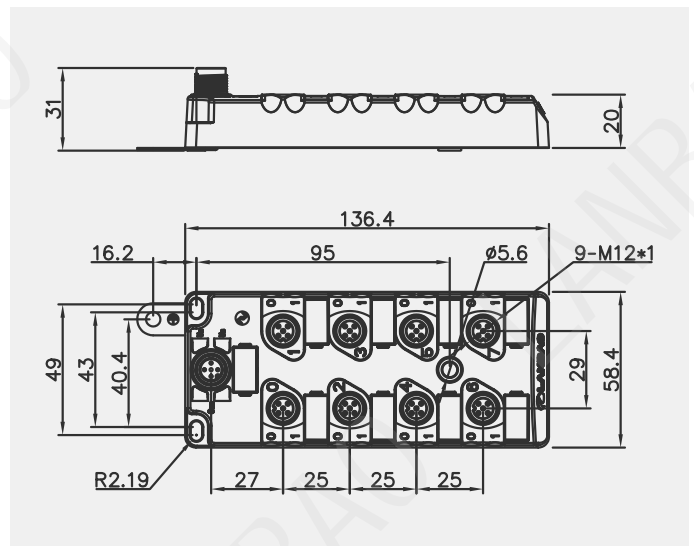
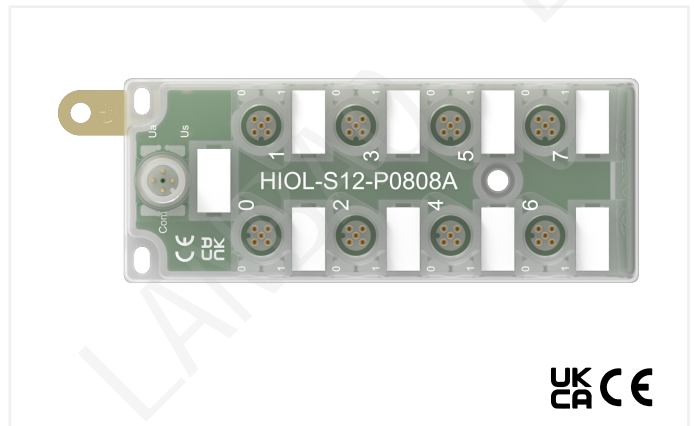
Communication interface	1*M12 male, 5pin, A-Code
I/O Interface	8*M12 female, 5pin, A-Code
Contact surface protection	Gilded 0.25µm

Packing accessories

Nameplate(12p)	
Instruction	

Certification

CE	
UKCA	

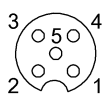


Electrical parameters

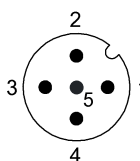
IO-Link function	Device
Number of IO-Link port	1
Configurable input/output port	No
Supply voltage(Ub)	18~30VDC
Total sensor current(US)	2A
Total actuator current(UA)	2A
Maximum static current	100mA

Connector Drawings

Input/output port



- PIN 1: +24V,200mA
- PIN 2: Input port
- PIN 3: GND
- PIN 4: Output port
- PIN 5: EARTH



IO-LINK port

- PIN 1: +24V(US)
- PIN 2: +24V(UA)
- PIN 3: GND, Signal ground
- PIN 4: C/Q, IO-Link channel
- PIN 5: EARTH

I/O Module HIOL-S12-P1600A



Communication interface

IO-LINK protocol version	V1.1
Transfer rate	COM2 (38.4 kBaud)
Digital input port	16 × PNP
Process data cycle(min)	5.5ms
Process data input	4 Byte

LED indication

Switch output	Yellow
IO-LINK communication	Green
Sensor power supply(US)	Green

Mechanical parameters

Diameter	58.4 x 31x 136.4 mm
Fastener	Fixed by 3-hole bolts

Materials

Shell shield	No
Housing material	PA, transparent

Working environment

Storage temperature	-40...85 °C
Ambient temperature	-25...70 °C
Protection degree	IP67, When the bolts are tightened

Electrical connection

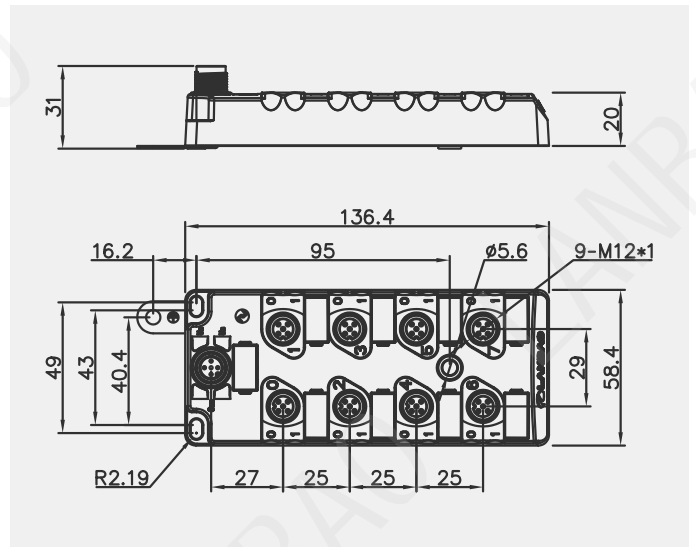
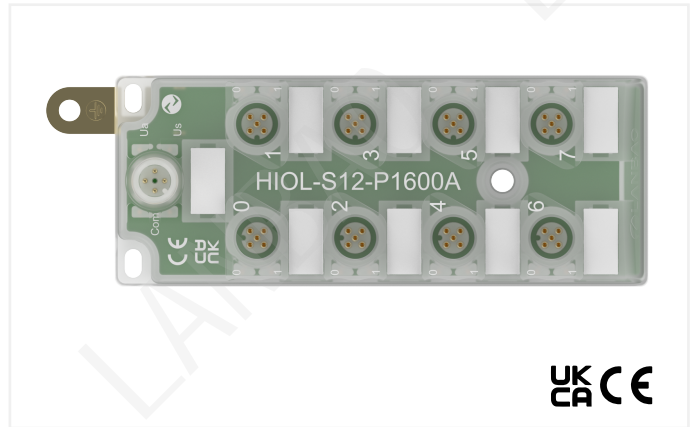
Communication interface	1*M12 male, 5pin, A-Code
I/O Interface	8*M12 female, 5pin, A-Code
Contact surface protection	Gilded 0.25µm

Packing accessories

Nameplate(12p)	
Instruction	

Certification

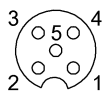
CE	
UKCA	



Electrical parameters

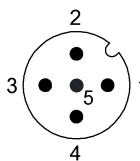
IO-Link function	Device
Number of IO-Link port	1
Configurable input/output port	No
Supply voltage(Ub)	18~30VDC
Total sensor current(US)	2A
Maximum static current	100mA

Connector Drawings



Input port

- PIN 1: +24V,200mA
- PIN 2: Input port
- PIN 3: GND
- PIN 4: Input port
- PIN 5: EARTH



IO-LINK port

- PIN 1: +24V(US)
- PIN 2: NC
- PIN 3: GND, Signal ground
- PIN 4: C/Q, IO-Link channel
- PIN 5: EARTH