

## Plastic square photoelectric sensor PSE-YC series



### Feature description

- Vcsel light source, long distance
- Ultra-small light spot, accurate positioning
- Universal housing, an ideal replacement for a wide range of sensor types
- IP67 protection grade, suitable for harsh environments



### Model specification

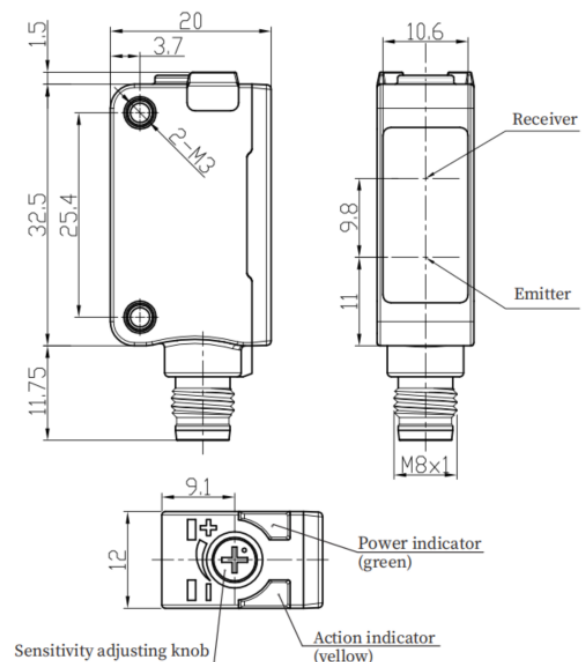
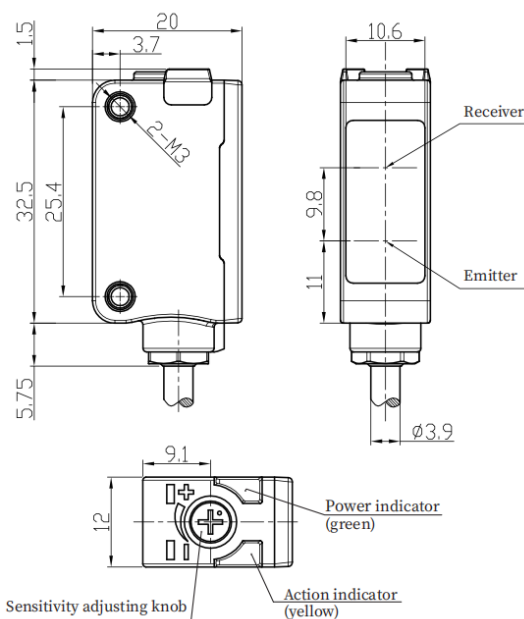
2M cable NPN NO+NC	PSE-YC15DNRV	2M cable PNP NO+NC	PSE-YC15DPRV
M8 connector NPN NO+NC	PSE-YC15DNRV-E3	M8 connector PNP NO+NC	PSE-YC15DPRV-E3

### Specifications

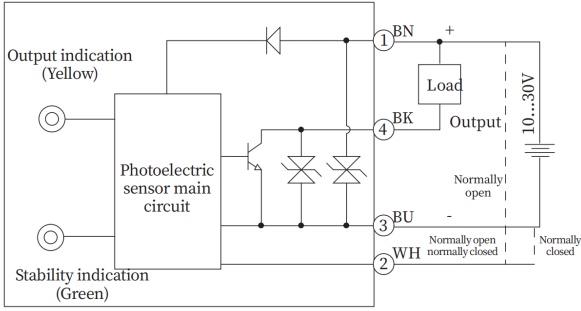
Detection distance	White card: 0.2-15cm; Black card: 2-15cm <sup>①</sup>	Overload protection	
Adjustment range	4-15cm <sup>①</sup>	Anti-ambient light	Sunlight ≤ 10,000Lux; Incandescent light ≤ 3,000Lux
Light spot size	3mm@100mm		fluorescent lamp ≤ 50Lux; LED ≤ 3,000Lux
Color sensitivity	≥ 90%	Operating temperature	- 10...45 °C (No condensation, No icing)
Return difference	< 5%	Storage temperature	- 25...70 °C (No condensation, No icing)
Supply voltage	10...30VDC (Ripple P-P: < 10%)	Protection degree	IP67
Consumption current	≤ 15mA	Certification	CE
Load current	≤ 100mA	Shell material	PC+ABS
Voltage drop	≤ 1V (Voltage drop < 10mA), < 2V (Voltage drop < 100mA)	Lens	PMMA
Light source	Red Vcsel (680nm)	Weight	50g/10g
Response time	< 1.2ms	Connection type	2m PVC Cable/M8 4Pin connector
Indicator	Green: Power indication; Yellow: output indication	Accessory	Mounting Bracket ZJP-8, Screws × 2
Protection circuit	Short circuit protection, Polarity protection,		Operation manual

① White card: 100\*100mm 90% reflectivity; Black card: 2-15cm;  
 \* Avoid using the product facing strong light during installation.

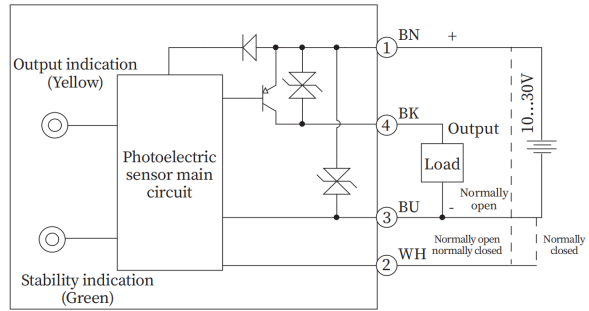
### Dimensions



**Wiring diagram**



**NPN**



**PNP**