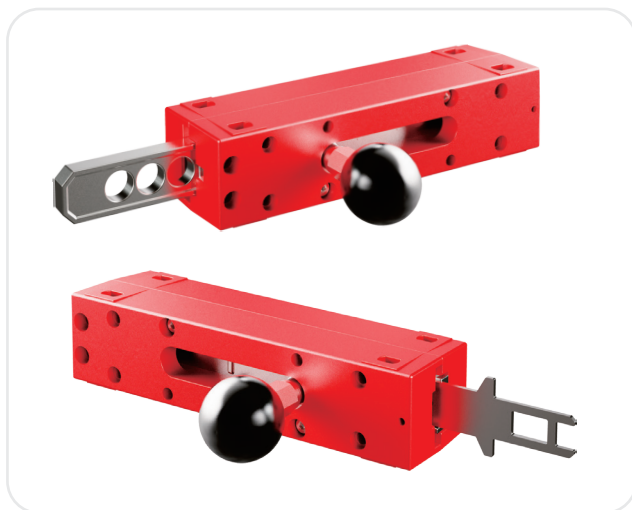


ZJP-H1



Parameters

Mechanical life	1×10 ⁶ times
Installation position	Door/ barrier
Installation method	Left/ right
Base material	Zinc alloy
Slider material	Zinc alloy
Handle material	Stainless steel
Ball material	Plastic
Weight	0.6kg

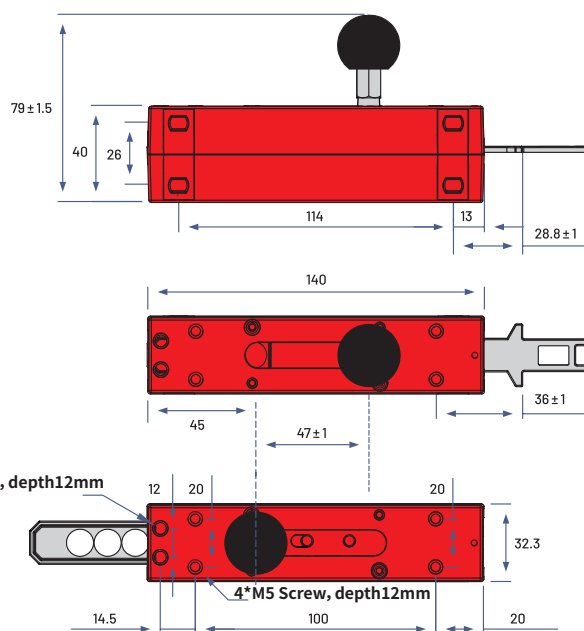
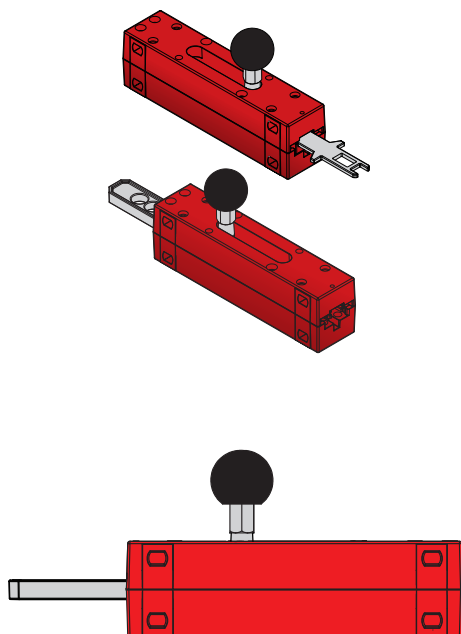
SLB-D

SLC-D

SLD

SLAS-D

Mounting dimensions Unit:mm



Naming rule

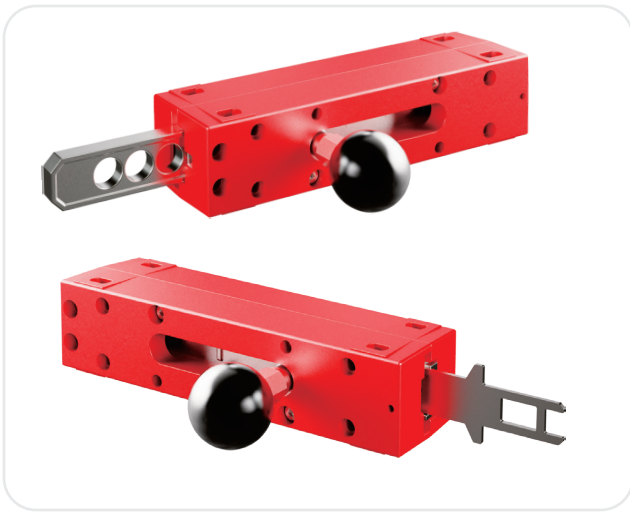
Product
Family
Operating
Key

Safety Latch



ZJP-H1L

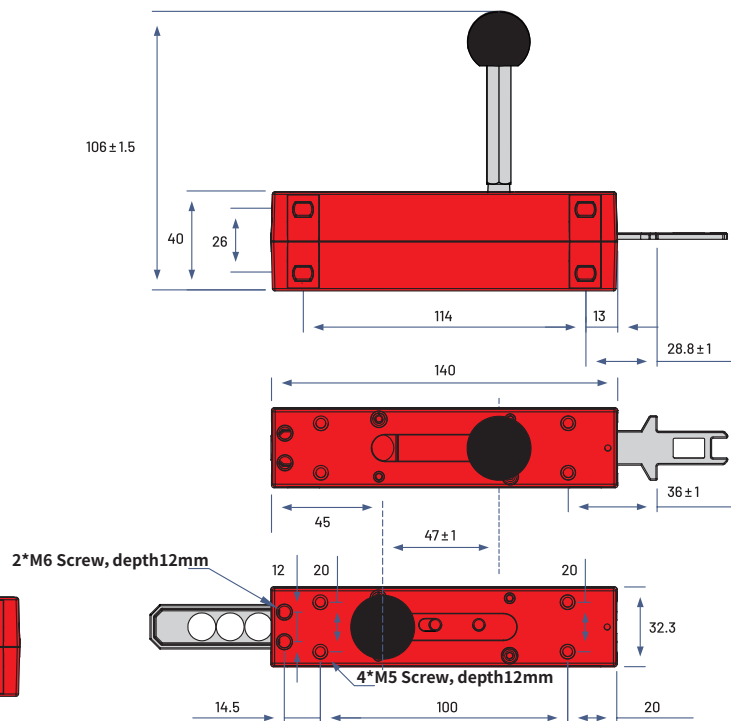
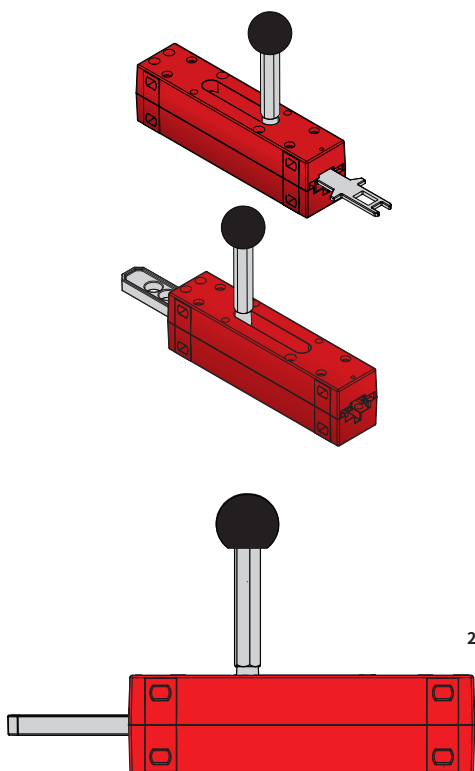
Parameters



Mechanical life	1×10 ⁶ times
Installation position	Door/ barrier
Installation method	Left/ right
Base material	Zinc alloy
Slider material	Zinc alloy
Handle material	Stainless steel
Ball material	Plastic
Weight	0.6kg

SLB-D
SLC-D
SLD
SLAS-D

Mounting dimensions Unit|mm



Naming rule
Product Family
Operating Key

Safety Latch



ZJP-H2L

Parameters



Mechanical life	1×10 ⁶ times
Installation position	Door/ barrier
Installation method	Left/ right
Base material	Zinc alloy
Slider material	Zinc alloy
Handle material	Stainless steel
Ball material	Plastic
Weight	0.6kg

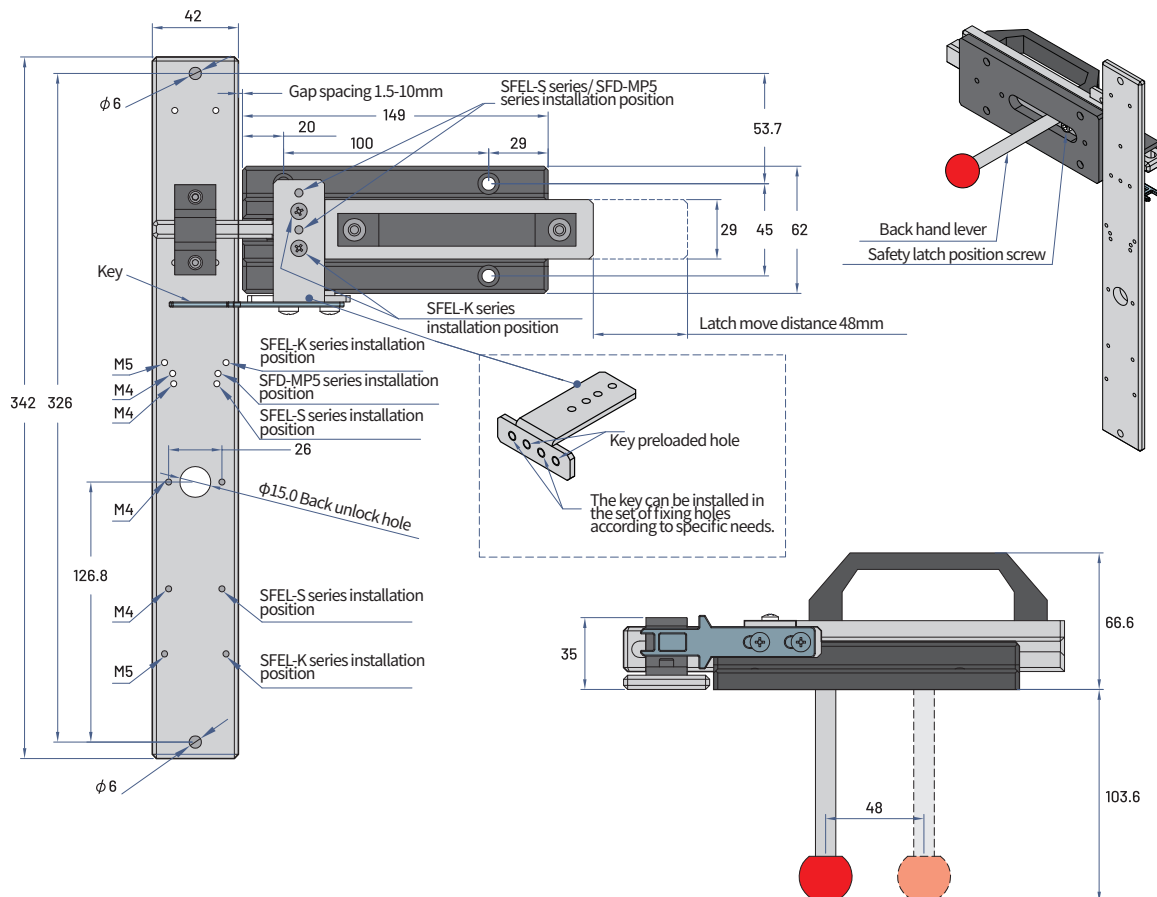
SLB-D

SLC-D

SLD

SLAS-D

Mounting dimensions Unit:mm



Naming rule

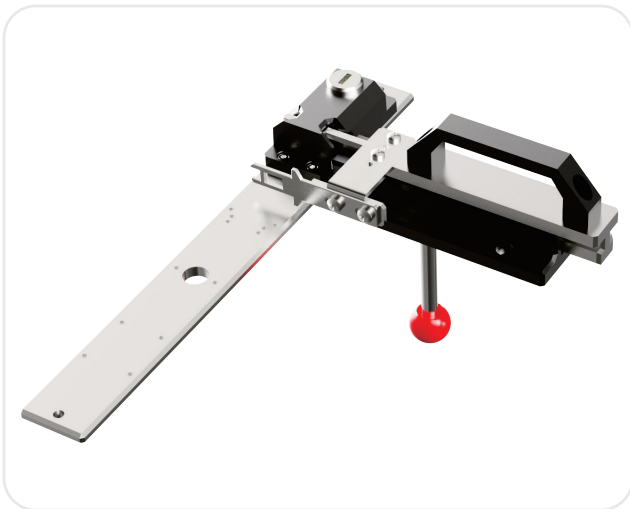
Product Family
Operating Key

Safety Latch



ZJP-H2

Parameters



Mechanical life	1 × 10 ⁶ times
Installation position	Door/ barrier
Installation method	Left/ right
Base material	Zinc alloy
Slider material	Zinc alloy
Handle material	Stainless steel
Ball material	Plastic
Weight	0.6kg

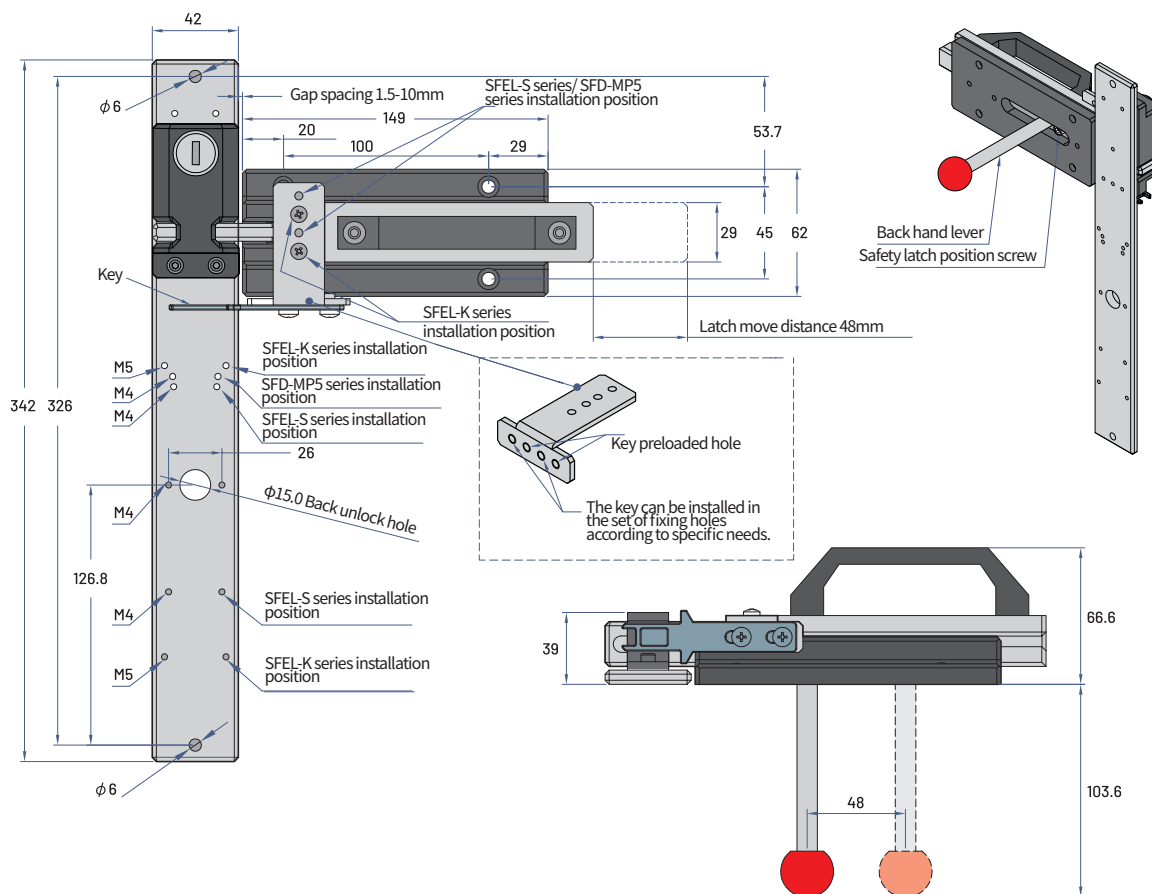
SLB-D

SLC-D

SLD

SLAS-D

Mounting dimensions Unit|mm



Naming rule

Product
Family
Operating
Key

Safety Latch



Official Website