

Safety light curtain **SFB** series



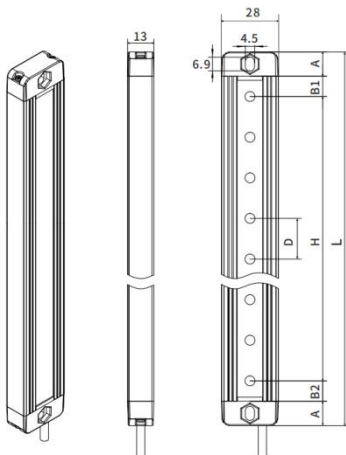
Features

- ◆ Compact size, sectional dimension is 28*13;
- ◆ Easy installation and operation;
- ◆ Short response time;
- ◆ Strong anti-electromagnetic interference ability.

Technical specification

Supply voltage	DC 10-30V (ripple $< \pm 10\%$)
Capacity	$< 5W$
Beam space	10mm, 20mm, 40mm
Resolution	15mm, 25mm, 45mm
Beams	10mm beam gap: 8, 12, 16...128; 20mm beam gap: 4, 6, 8...64; 40mm beam gap: 4, 6, 8...32
Protective height	Protective height $H = (N-1) * \text{beam gap}$, N is beam quantity
Light source	940nm infrared LED
Response time	Response time = $(N * 0.1ms) + 0.4ms$ (N is beam quantity)
Output mode (OSSD)	PNP/ NPN*2 semiconductors, current $< 200mA$, residual voltage $< 2V$, leakage current $< 1mA$
Circuit protection	Overload voltage protection, reverse polarity protection, over-current protection
Sensing distance	0.1~2m
Anti-optical interference	10000 Lux (Angle of incidence $> 2.5^\circ$)
Synchronization	Line synchronization
Protection degree	IP54
Housing material	Aluminum alloy
Ambient temperature	Operating: $-10^\circ C \sim 55^\circ C$ (No condensation), Storage: $-30^\circ C \sim 70^\circ C$ (No condensation)
Ambient humidity	85%max @ $20^\circ C$
Sectional dimension	28*13mm
Connection	2m PVC cable
Accessories	M6*16 screws (4PCS)

Dimensions



A: Height of upper and bottom cap (12mm)

Beam gap D (mm)	10	20	40
Upper stop B1 (mm)	5	10	10
Bottom stop B2 (mm)	5	10	30

H: Protective height

L: Total height

Model selection (Customization is acceptable)

Beam gap (D)	Beam quantity	Protective height(H) $H=(N-1)*D$	Total height (L) $L=A1+B1+A2+B2+H$	NPN output mode	PNP output mode
10	8	70	104	SFB10008-TM02DNC	SFB10008-TM02DPC
10	12	110	144	SFB10012-TM02DNC	SFB10012-TM02DPC
10	16	150	184	SFB10016-TM02DNC	SFB10016-TM02DPC
10	20	190	224	SFB10020-TM02DNC	SFB10020-TM02DPC
10	24	230	264	SFB10024-TM02DNC	SFB10024-TM02DPC
10	28	270	304	SFB10028-TM02DNC	SFB10028-TM02DPC
10	32	310	344	SFB10032-TM02DNC	SFB10032-TM02DPC
10	36	350	384	SFB10036-TM02DNC	SFB10036-TM02DPC
10	40	390	424	SFB10040-TM02DNC	SFB10040-TM02DPC
10	44	430	464	SFB10044-TM02DNC	SFB10044-TM02DPC
10	48	470	504	SFB10048-TM02DNC	SFB10048-TM02DPC
...
10	128	1270	1304	SFB10128-TM02DNC	SFB10128-TM02DPC
20	4	60	104	SFB20004-TM02DNC	SFB20004-TM02DPC
20	8	140	184	SFB20008-TM02DNC	SFB20008-TM02DPC
20	12	220	264	SFB20012-TM02DNC	SFB20012-TM02DPC
20	16	300	344	SFB20016-TM02DNC	SFB20016-TM02DPC
20	20	380	424	SFB20020-TM02DNC	SFB20020-TM02DPC
20	24	460	504	SFB20024-TM02DNC	SFB20024-TM02DPC
20	28	540	584	SFB20028-TM02DNC	SFB20028-TM02DPC
20	32	620	664	SFB20032-TM02DNC	SFB20032-TM02DPC
20	36	700	744	SFB20036-TM02DNC	SFB20036-TM02DPC
20	40	780	824	SFB20040-TM02DNC	SFB20040-TM02DPC
20	44	860	904	SFB20044-TM02DNC	SFB20044-TM02DPC
...
20	64	1260	1304	SFB20064-TM02DNC	SFB20064-TM02DPC
40	4	120	184	SFB40004-TM02DNC	SFB40004-TM02DPC
40	6	200	264	SFB40006-TM02DNC	SFB40006-TM02DPC
40	8	280	344	SFB40008-TM02DNC	SFB40008-TM02DPC
40	10	360	424	SFB40010-TM02DNC	SFB40010-TM02DPC
40	12	440	504	SFB40012-TM02DNC	SFB40012-TM02DPC
40	14	520	584	SFB40014-TM02DNC	SFB40014-TM02DPC
40	16	600	664	SFB40016-TM02DNC	SFB40016-TM02DPC
40	18	680	744	SFB40018-TM02DNC	SFB40018-TM02DPC
40	20	760	824	SFB40020-TM02DNC	SFB40020-TM02DPC
40	22	840	904	SFB40022-TM02DNC	SFB40022-TM02DPC
40	24	920	984	SFB40024-TM02DNC	SFB40024-TM02DPC
40	26	1000	1064	SFB40026-TM02DNC	SFB40026-TM02DPC
40	28	1080	1144	SFB40028-TM02DNC	SFB40028-TM02DPC
40	30	1160	1224	SFB40030-TM02DNC	SFB40030-TM02DPC
40	32	1240	1304	SFB40032-TM02DNC	SFB40032-TM02DPC

Model description:

SFB 20064-T M02 DNC

DNC: DC 10-30V, NPN, NC

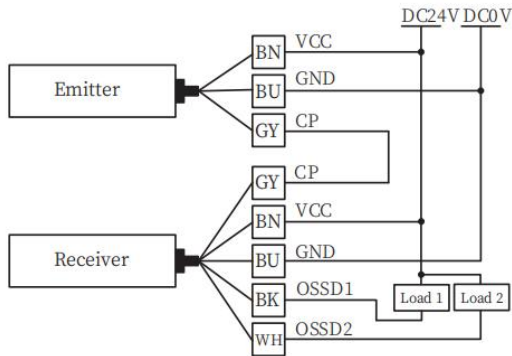
M02: Sensing distance

T: Through beam

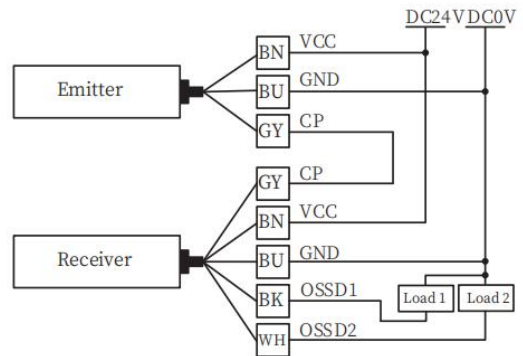
20064: 20mm beam space, 64 beam quantities

SFB: Light curtain B series

Wiring diagram:



NPN



PNP