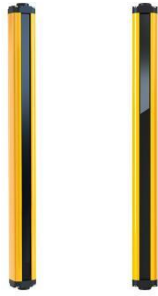


Safety light curtain SFE series



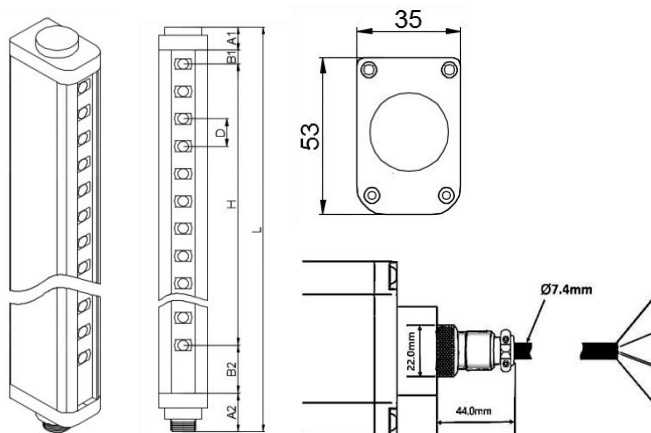
Features

- ◆ Designed according to IEC61496 type4 standard;
- ◆ MCU redundancy design: internal adoption of dual MCU detection;
- ◆ Self-inspection and cross-inspection design: periodic double check to improve security;
- ◆ Independent redundant dual outputs;
- ◆ Strong anti-electromagnetic interference ability.

Technical specification

Supply voltage	DC 24V±20% (ripple<±10%)
Capacity	<5W
Reference standard	EN 61496-1 (Type 4 ESPE), EN 61496-2 (Type 4 AOPD), ENISO 13849-1 (Category4, PLc)
Safety level	Type 4
Beam space	20mm, 40mm
Resolution	30mm, 50mm
Protective height	Protective height $H=(N-1)*$ beam gap, N is beam quantity
Light source	940nm infrared LED
Response time	<10ms
Output mode (OSSD)	PNP/ NPN*2 semiconductors, current<200mA, residual voltage<2V, leakage current <1mA
Circuit protection	Overload voltage protection, reverse polarity protection, over-current protection
Sensing distance	0.1~5m (0.1~10m can be customized)
Anti-optical interference	10000Lux (Angle of incidence>2.5°)
Synchronization	Line synchronization
Protection degree	IP65
Housing material	Aluminum alloy
Ambient temperature	Operating: -10℃~55℃ (No condensation), Storage: -30℃~70℃ (No condensation)
Ambient humidity	85%max @ 20℃
Sectional dimension	35*53mm
Connection	Customized plug (Emitter: three-core cable; Receiver: five-core cable)
Accessories	L-shaped bracket (4PCS); Slider (4PCS); M6 washer (4PCS); M6 spring washer (4PCS); M6*16 screws (4PCS); M6*8 screws (4PCS); GA-3 cable (2.5m,PVC) *1; GA-5 cable (3.5m,PVC)*1

Dimensions



A1: Height of upper cap (17mm)

A2: Height of bottom cap, height of aviation terminal (28mm)

Beam gap D (mm)	20	40
Upper stop B1 (mm)	10	30
Bottom stop B2 (mm)	35	35

H: Protective height

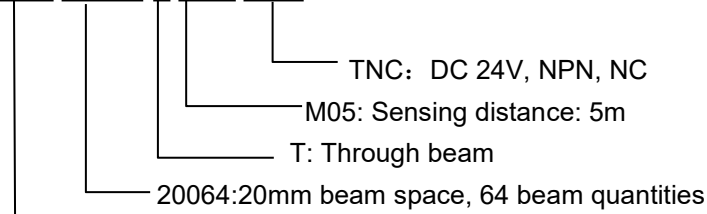
L: Total height

Model selection (Customization is acceptable)

Beam gap (D)	Beam quantity	Protective Height (H) $H=(N-1)*D$	Total height(L) $L=A1+B1+A2+B2+H$	NPN output mode	PNP output mode
20	8	140	230	SFE20008-TM05TNC	SFE20008-TM05TPC
20	12	220	310	SFE20012-TM05TNC	SFE20012-TM05TPC
20	16	300	390	SFE20016-TM05TNC	SFE20016-TM05TPC
20	20	380	470	SFE20020-TM05TNC	SFE20020-TM05TPC
20	24	460	550	SFE20024-TM05TNC	SFE20024-TM05TPC
20	28	540	630	SFE20028-TM05TNC	SFE20028-TM05TPC
20	32	620	710	SFE20032-TM05TNC	SFE20032-TM05TPC
20	34	660	750	SFE20034-TM05TNC	SFE20034-TM05TPC
20	36	700	790	SFE20036-TM05TNC	SFE20036-TM05TPC
20	40	780	870	SFE20040-TM05TNC	SFE20040-TM05TPC
20	44	860	950	SFE20044-TM05TNC	SFE20044-TM05TPC
20	48	940	1030	SFE20048-TM05TNC	SFE20048-TM05TPC
20	52	1020	1110	SFE20052-TM05TNC	SFE20052-TM05TPC
20	56	1100	1190	SFE20056-TM05TNC	SFE20056-TM05TPC
20	60	1180	1270	SFE20060-TM05TNC	SFE20060-TM05TPC
20	64	1260	1350	SFE20064-TM05TNC	SFE20064-TM05TPC
20	68	1340	1430	SFE20068-TM05TNC	SFE20068-TM05TPC
20	72	1420	1510	SFE20072-TM05TNC	SFE20072-TM05TPC
40	4	120	230	SFE40004-TM05TNC	SFE40004-TM05TPC
40	6	200	310	SFE40006-TM05TNC	SFE40006-TM05TPC
40	8	280	390	SFE40008-TM05TNC	SFE40008-TM05TPC
40	10	360	470	SFE40010-TM05TNC	SFE40010-TM05TPC
40	12	440	550	SFE40012-TM05TNC	SFE40012-TM05TPC
40	14	520	630	SFE40014-TM05TNC	SFE40014-TM05TPC
40	16	600	710	SFE40016-TM05TNC	SFE40016-TM05TPC
40	18	680	790	SFE40018-TM05TNC	SFE40018-TM05TPC
40	20	760	870	SFE40020-TM05TNC	SFE40020-TM05TPC
40	22	840	950	SFE40022-TM05TNC	SFE40022-TM05TPC
40	24	920	1030	SFE40024-TM05TNC	SFE40024-TM05TPC
40	26	1000	1110	SFE40026-TM05TNC	SFE40026-TM05TPC
40	28	1080	1190	SFE40028-TM05TNC	SFE40028-TM05TPC
40	30	1160	1270	SFE40030-TM05TNC	SFE40030-TM05TPC
40	32	1240	1350	SFE40032-TM05TNC	SFE40032-TM05TPC
40	34	1320	1430	SFE40034-TM05TNC	SFE40034-TM05TPC
40	36	1400	1510	SFE40036-TM05TNC	SFE40036-TM05TPC

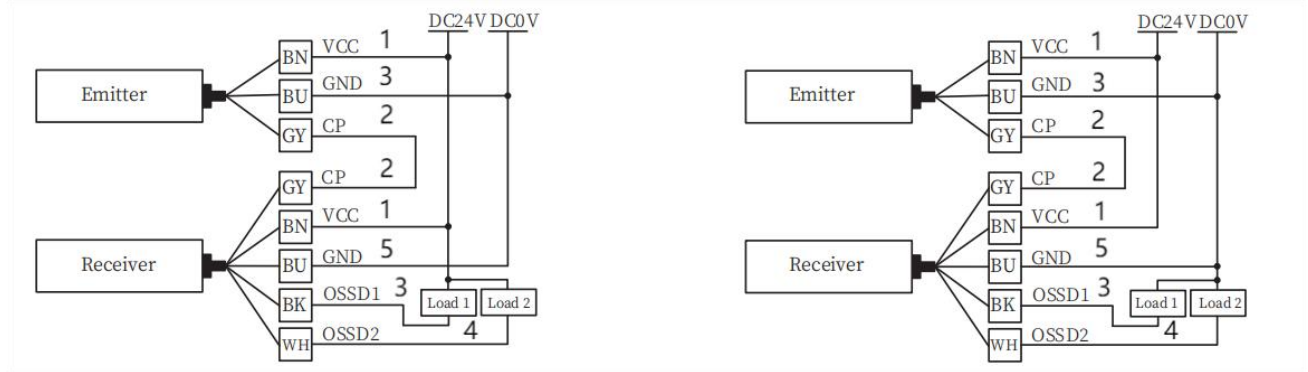
Model description:

SFE 20064-T M05 TNC



SFE: Light curtain E series

Wiring diagram:



NPN

PNP

L1 Bracket dimensions:

