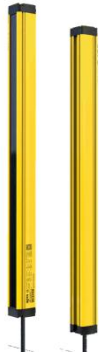


## Safety light curtain **SFS** series



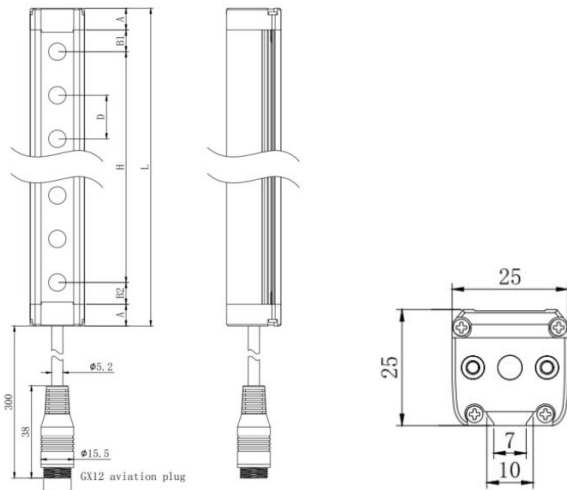
### Features

- ◆ Strong anti-electromagnetic interference ability;
- ◆ Output dual loop redundancy design;
- ◆ Perfect self-inspection function;
- ◆ Compact size, sectional dimension is 25\*25;
- ◆ Optical synchronization technology, simple wiring.

### Technical specification

Safety level	Type2
Supply voltage	DC 24V±20% (ripple<±10%)
Capacity	<5W
Beam space	20mm, 40mm
Resolution	29mm, 49mm
Beams	20mm beam gap: 8, 12, 16, 16, 20...96; 40mm beam gap: 4, 6, 8...48
Protective height	Protective height H= (N-1)* beam gap, N is beam quantity
Light source	940nm infrared LED
Response time	Response time= (N*0.1ms)+0.4ms (N is beam quantity)
Output mode (OSSD)	PNP/ NPN*2 semiconductors, current<200mA,residual voltage<2V, leakage current <1mA
Circuit protection	Overload voltage protection, reverse polarity protection, over-current protection
Sensing distance	0.1~6m
Anti-optical interference	10000Lux (Angle of incidence >2.5° )
Synchronization	Optical synchronization
Protection degree	IP65
Housing material	Aluminum alloy
Ambient temperature	Operating: -10℃~55℃ (No condensation), Storage: -30℃~70℃ (No condensation)
Ambient humidity	85%max@ 20℃
Sectional dimension	25*25mm
Connection	GX12 aviation plug+0.35mPVC cable (Emitter: three-core cable; Receiver: five-core cable)
Accessories	L-shaped bracket (4PCS); M5 Slider (4PCS); M6 washer (4PCS); M6 spring washer (4PCS); M6*16 screws (4PCS); M5*6 screws (4PCS); GX12-3 cable (2.5m,PVC)*1; GX12-5 cable (3.5m,PVC)*1

### Dimensions



A: Height of upper and bottom cap (10mm)

Beam gap D (mm)	20	40
Upper stop B1 (mm)	10	10
Bottom stop B2 (mm)	10	30

H: Protective height

L: Total height

**Model selection (Customization is acceptable)**

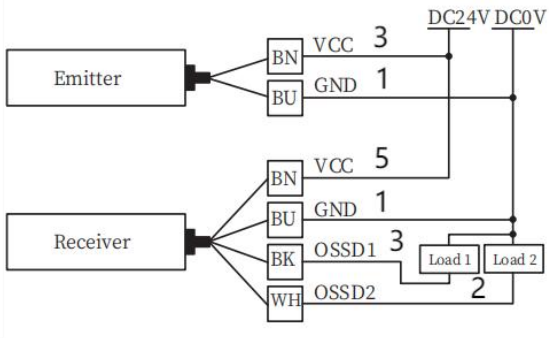
Beam gap (D)	Beam quantity	Protective Height (H) $H = (N-1) \times D$	Total height (L) $L = A1 + B1 + A2 + B2 + H$	NPN output mode	PNP output mode
20	8	140	180	SFS20008-TM06TNC	SFS20004-TM06TPC
20	12	220	260	SFS20012-TM06TNC	SFS20012-TM06TPC
20	16	300	340	SFS20016-TM06TNC	SFS20016-TM06TPC
20	20	380	420	SFS20020-TM06TNC	SFS20020-TM06TPC
20	24	460	500	SFS20024-TM06TNC	SFS20024-TM06TPC
20	28	540	580	SFS20028-TM06TNC	SFS20028-TM06TPC
20	32	620	660	SFS20032-TM06TNC	SFS20032-TM06TPC
20	36	700	740	SFS20036-TM06TNC	SFS20036-TM06TPC
20	40	780	820	SFS20040-TM06TNC	SFS20040-TM06TPC
20	44	860	900	SFS20044-TM06TNC	SFS20044-TM06TPC
20	48	940	980	SFS20048-TM06TNC	SFS20048-TM06TPC
20	52	1020	1060	SFS20052-TM06TNC	SFS20052-TM06TPC
20	56	1100	1140	SFS20056-TM06TNC	SFS20056-TM06TPC
20	60	1180	1220	SFS20060-TM06TNC	SFS20060-TM06TPC
20	64	1260	1300	SFS20064-TM06TNC	SFS20064-TM06TPC
...	...	...	...	...	...
20	100	1980	2020	SFS20100-TM06TNC	SFS20100-TM06TPC
40	4	120	184	SFS40004-TM06TNC	SFS40004-TM06TPC
40	6	200	264	SFS40006-TM06TNC	SFS40006-TM06TPC
40	8	280	344	SFS40008-TM06TNC	SFS40008-TM06TPC
40	10	360	424	SFS40010-TM06TNC	SFS40010-TM06TPC
40	12	440	504	SFS40012-TM06TNC	SFS40012-TM06TPC
40	14	520	584	SFS40014-TM06TNC	SFS40014-TM06TPC
40	16	600	664	SFS40016-TM06TNC	SFS40016-TM06TPC
40	18	680	744	SFS40018-TM06TNC	SFS40018-TM06TPC
40	20	760	824	SFS40020-TM06TNC	SFS40020-TM06TPC
40	22	840	904	SFS40022-TM06TNC	SFS40022-TM06TPC
40	24	920	984	SFS40024-TM06TNC	SFS40024-TM06TPC
40	26	1000	1064	SFS40026-TM06TNC	SFS40026-TM06TPC
40	28	1080	1144	SFS40028-TM06TNC	SFS40028-TM06TPC
...	...	...	...	...	...
40	50	1960	2020	SFS40050-TM06TNC	SFS40050-TM06TPC

**Model description:**

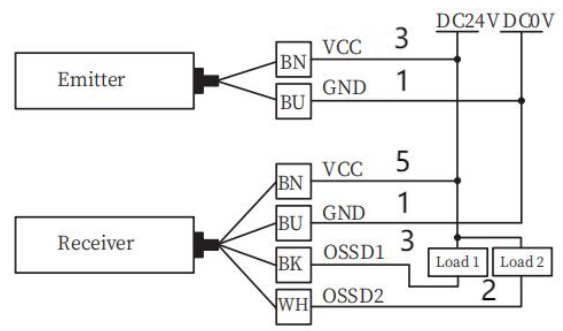
SFS 20064-T M06 TNC

TNC: DC24V, NPN, NC  
 M06: Sensing distance: 6m  
 T: Through beam  
 20064: 20mm beam space, 64 beam quantities  
 SFS: Light curtain S series

**Wiring diagram:**



NPN



PNP

**L1 Bracket dimensions:**

