

Plastic fluted photoelectric sensor PU30S series



Features

- Small size, fixed distance detection
- Adopt anti-interference algorithm design to effectively avoid cross-signal interference
- High detection accuracy and stable performance



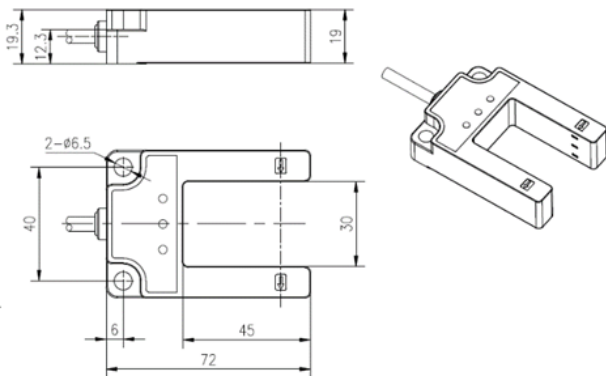
Model

NPN NO/NC	PU30S-TDNB 3001	PNP NO/NC	PU30S-TDPB 3001
-----------	-----------------	-----------	-----------------

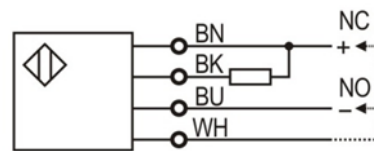
Specifications

Detection type	Through beam	Protection circuit	Reverse polarity protection, overload protection
Rated distance Sn	30mm(Not Adjustable)	Indicator	Power indicator:Green;Output indication:Yellow LED
Standard test body	Φ2mm Above opaque objects	Ambient temperature	-15°C...+55°C
Light source	Infrared LED	Environment humidity	35...85%RH(No condensation)
Shape specification	52 *72 *19mm	Impact withstand voltage	1000V/AC 50/60Hz 60s
Output type	NO/NC Optional(Cable selection)	Insulation resistance	≥50MΩ(500VDC)
Supply voltage	10...30 VDC	Vibration resistance	Complex amplitude 1.5mm 10...50Hz(2 hours each in X,Y,Z directions)
Load current	≤100mA	Protection degree	IP66
Residual voltage	≤2.5V	Material	PC/ABS
Consumption current	≤15mA	Connection type	2m PVC cable
Response time	Action and reset less than 0.6ms		

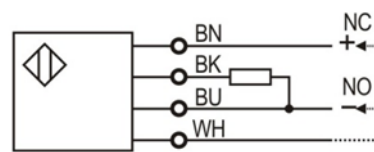
Dimensions



Circuit Diagrams



NPN NO/NC



PNP NO/NC